

MWPS-72353

Dairy Barn

64 Free Stalls--Tractor Scrape.

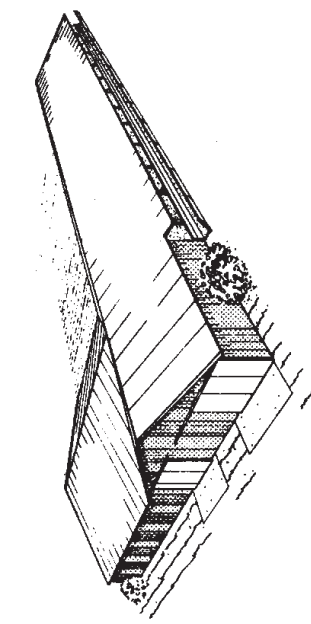
CAUTION!

Additional professional services will be required to tailor this plan to your situation, including but not limited to: assurance of compliance with codes and regulations; review of specifications for materials and equipment; supervision of site selection, bid letting and construction; and provision for utilities, waste management, roads or other access. **Furthermore, any deviation from the given specifications may result in structural failure, property damage, and personal injury including loss of life.**

WARRANTY DISCLAIMER

This plan provides conceptual information only. **Neither midwest plan service nor any of the cooperating land-grant universities, or their respective agents or employees, have made, and do not hereby make, any representation, warranty or covenant with respect to the specifications in this plan.** Additional professional services will be required to tailor this plan to your situation, including but not limited to: assurance of compliance with codes and regulations; review of specifications for materials and equipment; supervision of site selection, bid letting and construction; and provision for utilities, waste management, roads or other access.

MIDWEST PLAN SERVICE
Cooperative Extension Work in Agriculture and Home Economics and Agricultural Experiment Stations of North Central Region - USDA Cooperating
Dairy Barn-64 Free Stall
Title Page
MIDWEST PLAN NO. 72353



Before you build this barn consult with and get the approval of the health authorities having control of the sale of your milk.

- *PREFERRED LUMBER SPECIFICATIONS
- Roof Purlins and Wall Girts
- 2x4 Construction Grade (Doug Fir or Southern Yellow Pine).
- 2x6 No. 2 (Doug Fir or Southern Yellow Pine).
- Trusses and Headers
- No. 1 or 1500' machine rated (Doug Fir or Southern Yellow Pine).
- Posts and Splashboards
- Pressure Treated (Southern Yellow Pine or equivalent) crossole—10 pct. Pentap—0.50 pct. ACA or CCA (Type A or B)—0.40 pct.
- *For alternate member sizes using Hem-Fir and round poles, see page 4 and Truss Page.

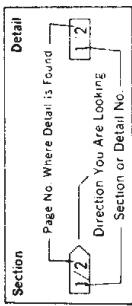


TABLE OF CONTENTS

Description	Page
Floor Plan	1
Free Stall Detail	2
Knee Brace Detail	2
Feed Bunk Detail	2
Post Footing Detail	2
Building Cross-Section	3
Endwall Framing	3
Alternate Free Stall Detail	4
Winter Air Inlet	4
Wall and Curb Section	5
Sliding Door Apron	5
Alternate Feed Bunk	6
Insulation Details	6
Truss Details	6

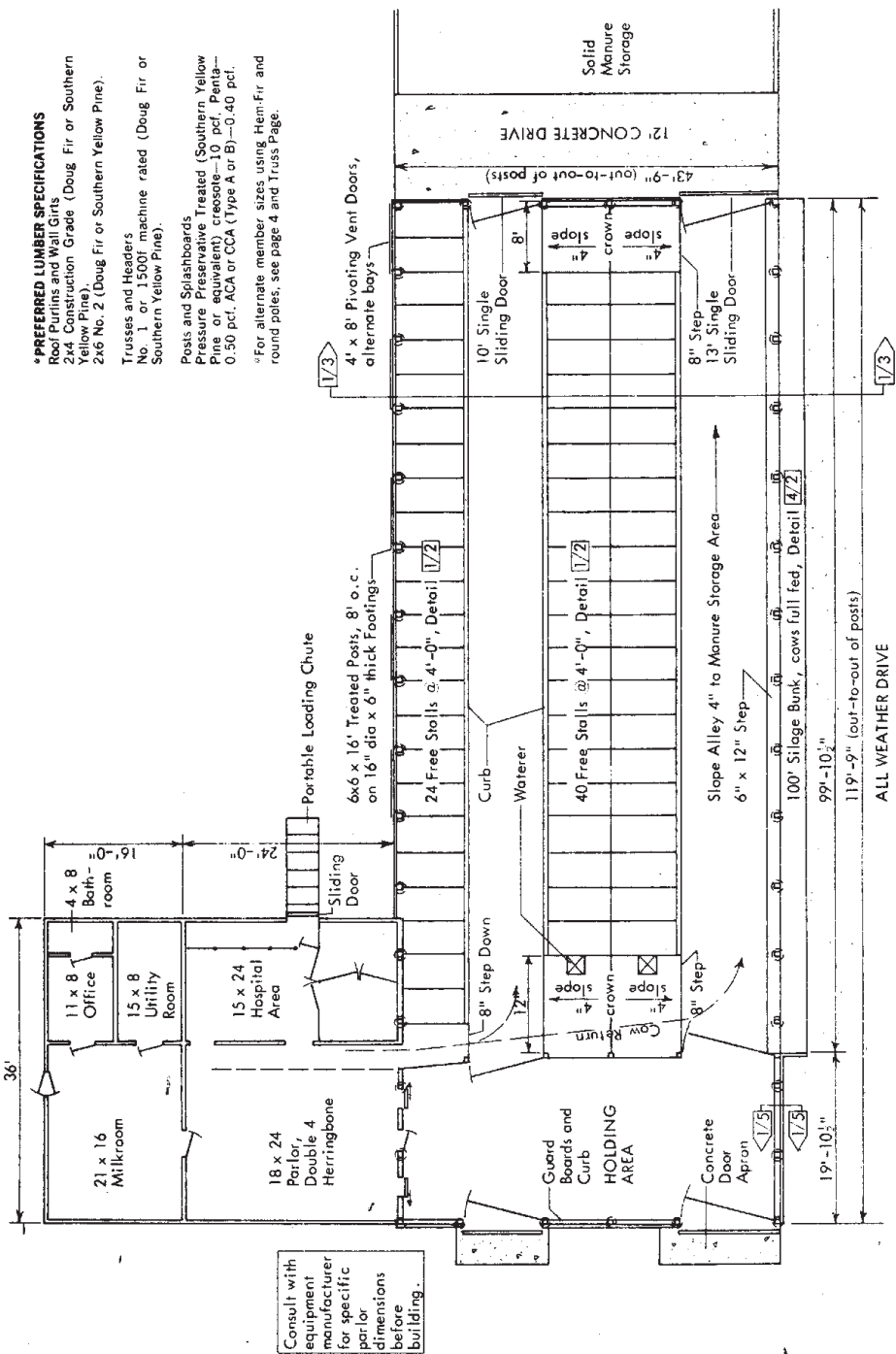
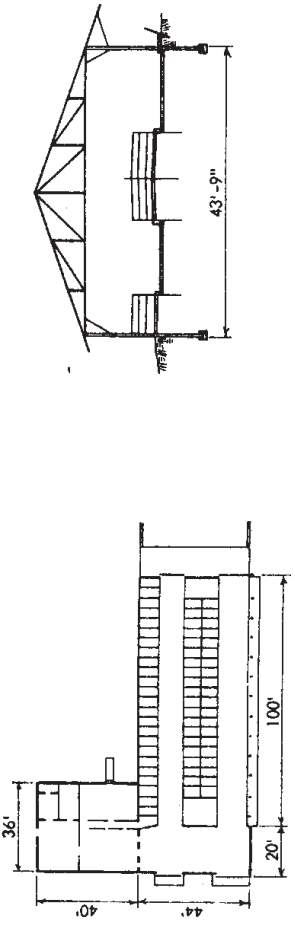
MIDWEST PLAN SERVICE
 Cooperative Extension Work in
 Agriculture and Home Economics
 and Agricultural Experiment Stations
 of North Central Region - USDA Cooperating

DAIRY BARN
 64 Free Stalls--Tractor Scrape

Page 1 of 6 Pages
 MIDWEST PLAN NO. 72353

Copyright © 1974 Midwest Plan Service

Pages 2, 4, 5&6 similar to
 pages 2, 4, 5&6 of 72352



Consult with equipment manufacturer for specific parlor dimensions before building.

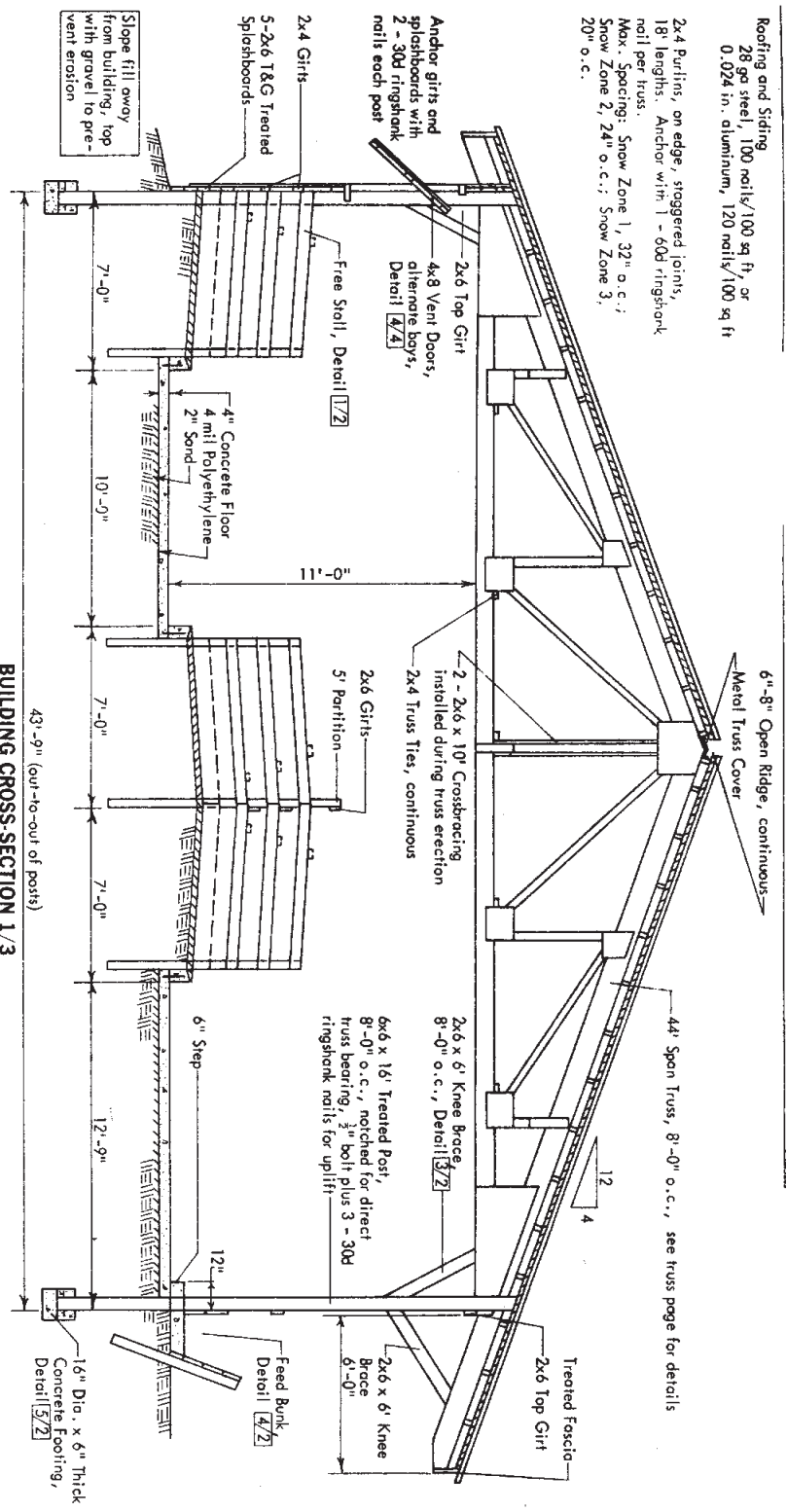
FLOOR PLAN 1/1

Provide separate youngstock facilities.

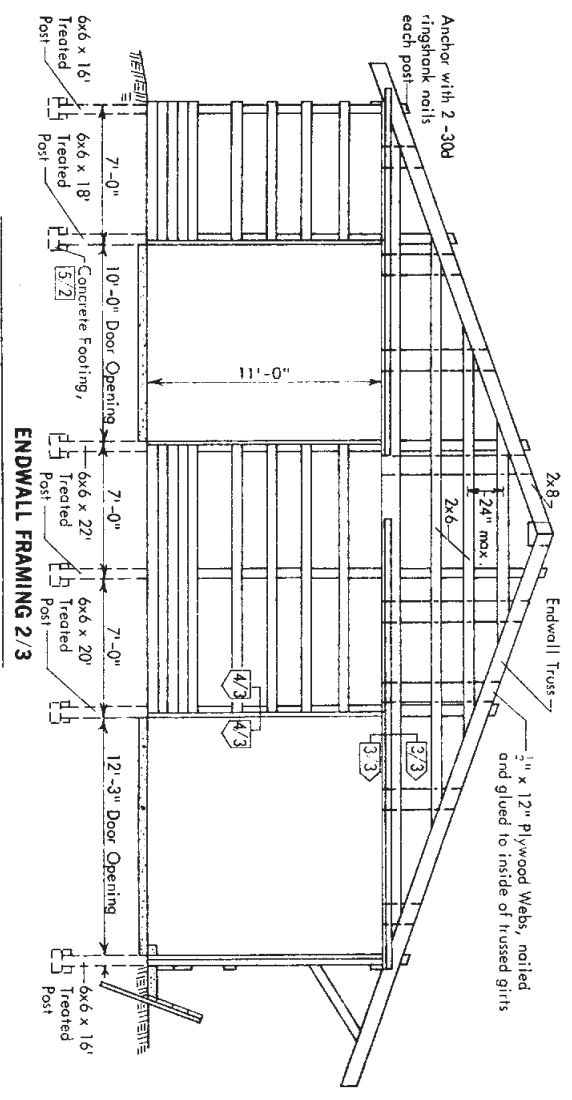
ALL WEATHER DRIVE

Roofing and Siding
 28 ga steel, 100 nails/100 sq ft, or
 0.024 in. aluminum, 120 nails/100 sq ft

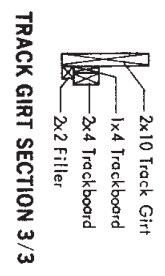
2x4 Purlins, on edge, staggered joints, 18' lengths. Anchor with 1" - 60d ringshank nail per truss.
 Max. Spacing: Snow Zone 1, 32" o.c.; Snow Zone 2, 24" o.c.; Snow Zone 3, 20" o.c.



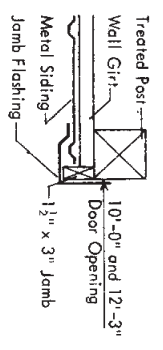
BUILDING CROSS-SECTION 1/3



ENDWALL FRAMING 2/3

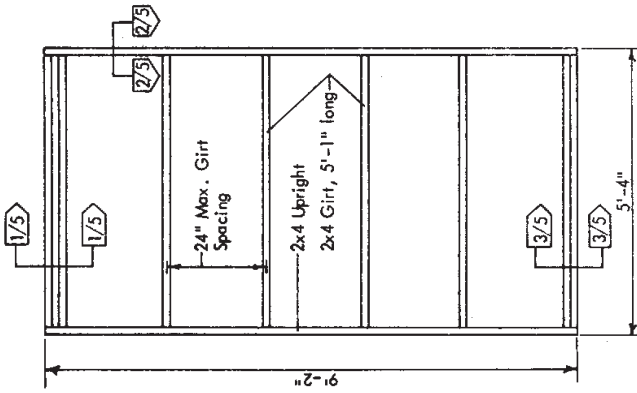


TRACK GIRT SECTION 3/3

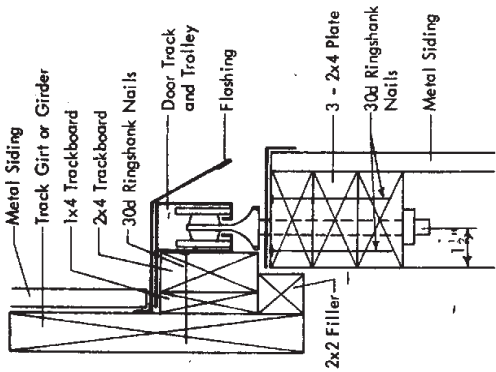


JAMB SECTION 4/3

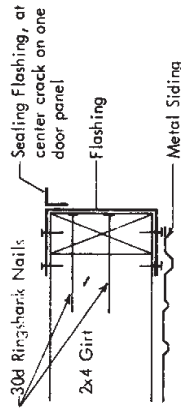
MIDWEST PLAN SERVICE
Cooperative Extension Work in Agriculture and Home Economics and Agricultural Experiment Stations of North Central Region - USDA Cooperating
DAIRY BARN
64 Free Stalls-- Tractor Scrape
MIDWEST PLAN NO. 72353
Page 3 of 6 Pages
Copyright © 1974 Midwest Plan Service



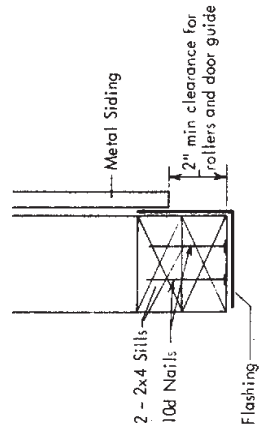
DOUBLE SLIDING DOOR 4/5
2x4 Framing



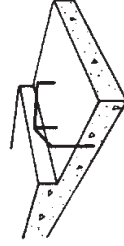
DOOR TRACK ASSEMBLY 1/5



UPRIGHT SECTION 2/5
Extend flashing around uprights and nail to girts and uprights.

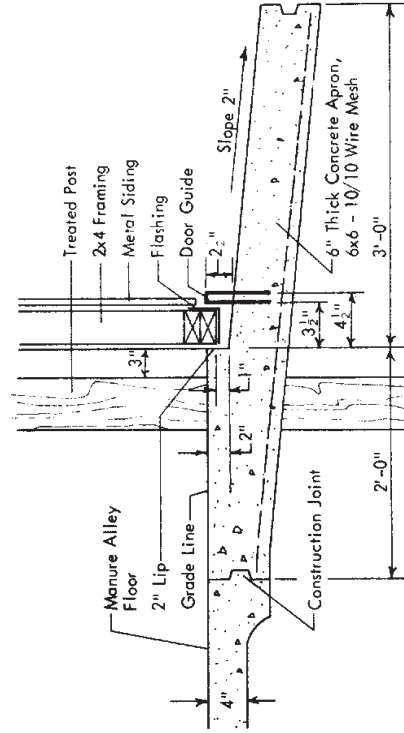


SILL SECTION 3/5



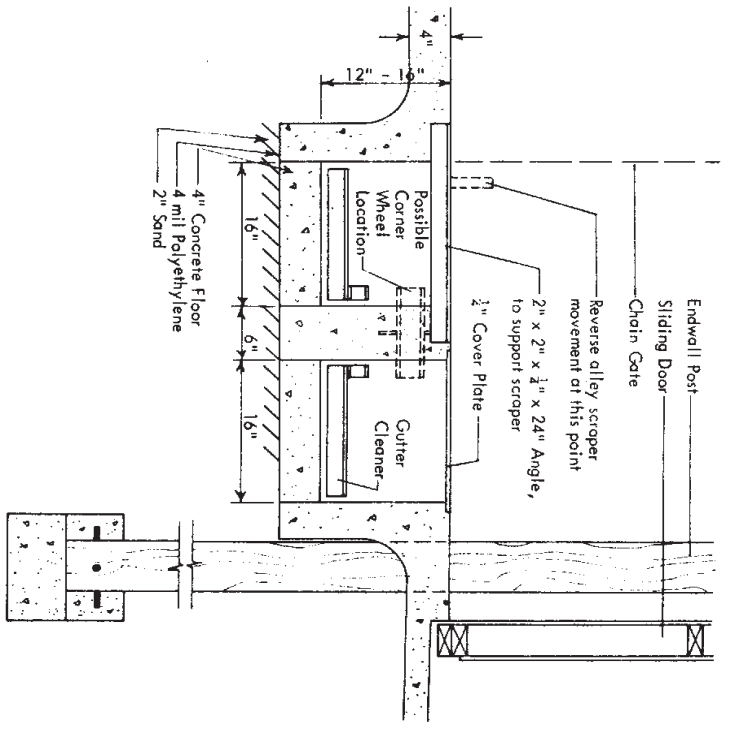
U-shaped Door Guide

Locate $\frac{1}{2}$ " dia x 20" U-shaped door guide at center of door opening. Break at center to force closing door against apron lip. Taper from $4\frac{1}{2}$ " end to $3\frac{1}{2}$ " center clearance.

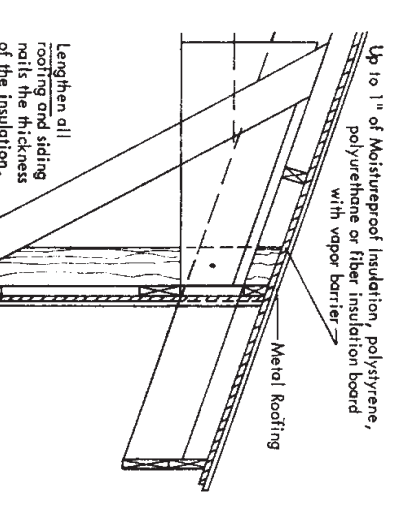
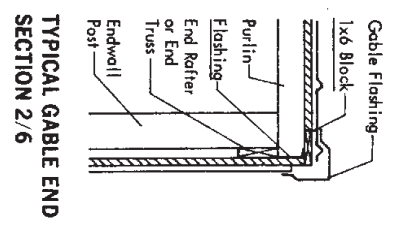


SLIDING DOOR APRON 5/5
Set adjustable roller guides in the concrete apron at door jamb. Use door stops as required.

MIDWEST PLAN SERVICE
Cooperative Extension Work in Agriculture and Home Economics and Agricultural Experiment Stations of North Central Region - USDA Cooperating
DAIRY BARN - 62 FREE STALLS
Mechanical Waste Scraper
Page 5 of 6 pages
MIDWEST PLAN NO. 72352

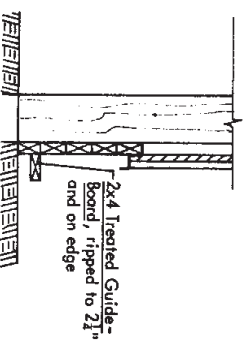
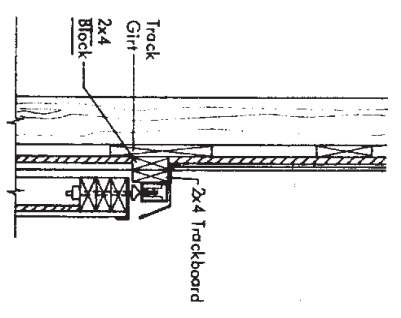


GUTTER CLEANER CROSS-SECTION 1/6
IMPORTANT: Use a flexible gate and reverse alley scraper movement at near edge of gutter to prevent possible cow injury.

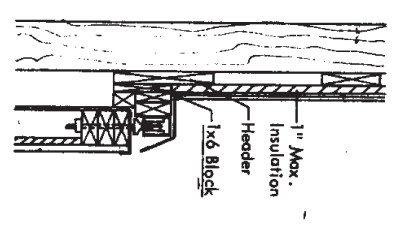


TYPICAL GABLE END SECTION 2/6

TYPICAL WALL SECTION 4/6



ENDWALL SECTION 3/6
 With Sliding Door



ENDWALL HEADER SECTION 5/6

INSULATION DETAILS

Underlines show materials that change when insulation is added.

MIDWEST PLAN SERVICE
Cooperative Extension Work in Agriculture and Home Economics and Agricultural Experiment Stations of North Central Region - USDA Cooperating
DAIRY BARN - 62 FREE STALLS Mechanical Waste Scraper
Page 6 of 6 Pages
MIDWEST PLAN NO. 72352